



# electrónica de precisión, s.a.

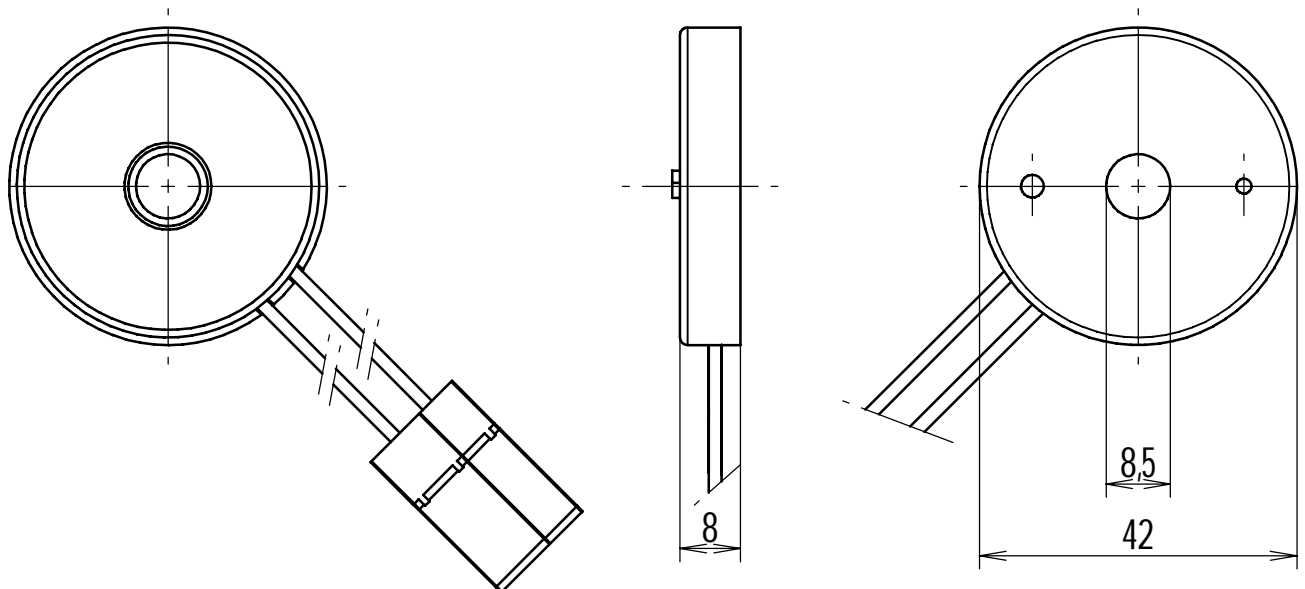
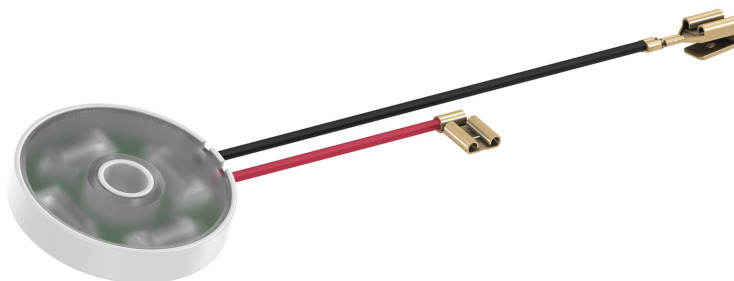
C./ Galileu, 17 Polígono Industrial Can Estella  
E-08635 Sant Esteve Sesrovires  
BARCELONA

Tel.: +34 93 774 69 10  
Fax.: +34 93 774 65 00  
e-mail: [epsa@edep.com](mailto:epsa@edep.com)  
<http://www.edep.com>



## Illumination for Timer Dial

Code 8937510400



Tolerances unless otherwise stated:  $\pm 0.2$

Scale: 1:1

This product is an example of our design and production possibilities in the field of illumination. Custom designed for a manufacturer of timers, the initial most important requirements were:

- 1) Low investments in tooling
- 2) Small size; mounted between the existing hands and the timer front (distance 8mm)
- 3) Good illumination of the face
- 4) Economical
- 5) Ready to be connected to 230 VAC

After to our different proposals, the client ordered us the present product, which meets all requirements. The housing with his difuser is of thermoplastic insulation material.

Before submit product to client, our laboratory tested all prescribed parameters.