



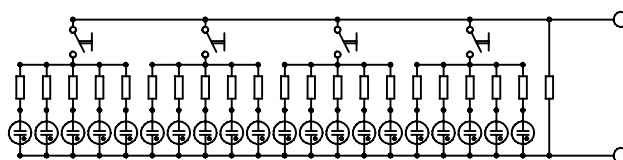
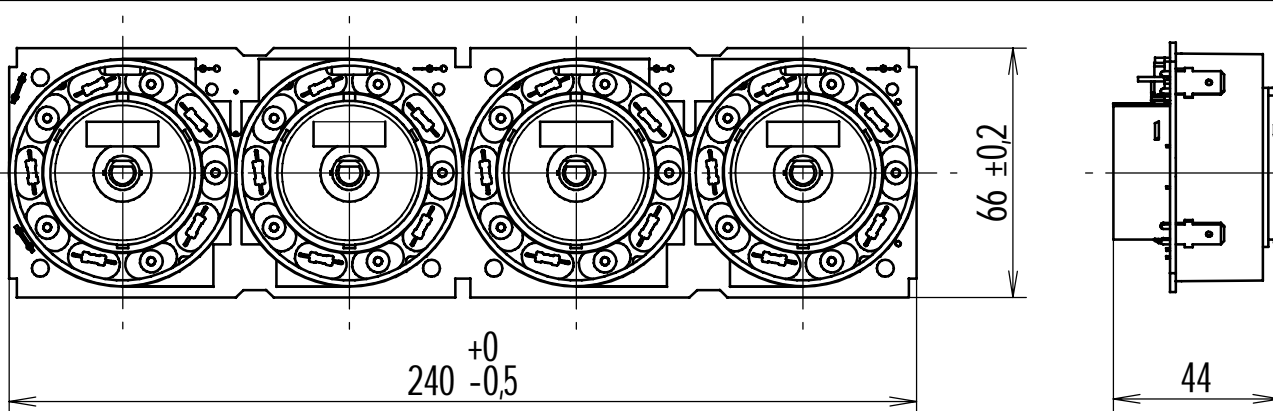
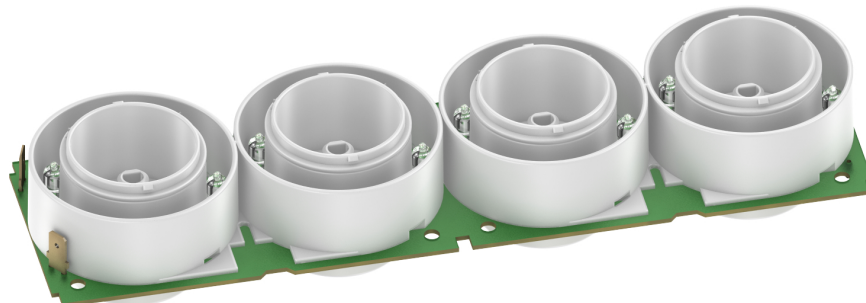
electrónica de precisión, s.a.

C./ Galileu, 17 Polígono Industrial Can Estella
E-08635 Sant Esteve Sesrovires
BARCELONA

Tel.: +34 93 774 69 10
Fax.: +34 93 774 65 00
e-mail: epsa@edep.com
http://www.edep.com



Switched
Illumination for
Knobs
Code 8911331550



Tolerances unless otherwise stated: ± 0.2

Scale: 1:2

This product is an example of our design and production possibilities in the field of illumination. Custom designed for and in cooperation with an electric oven manufacturer, the initial most important requirements were:

- 1) Low investments in tooling
- 2) Flexibility for alternative executions, alternatively without switching
- 3) Good illumination of customer's semitransparent existing knobs
- 4) Actuating of switching through the knobs themselves
- 5) No need of additional microswitches nor other types of expensive standard switches to switch on every knob
- 6) Good resistance to high temperatures
- 7) Good electric and fire resistance

After to our different proposals, the client ordered us the present product, which meets all requirements. The lighting and simple switching means are integrated in the printed circuit board. The different executions can be arranged, because of the low cost for changes on p.c.b.. Before submit product to client, our laboratory tested all prescribed parameters.