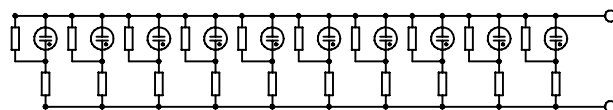
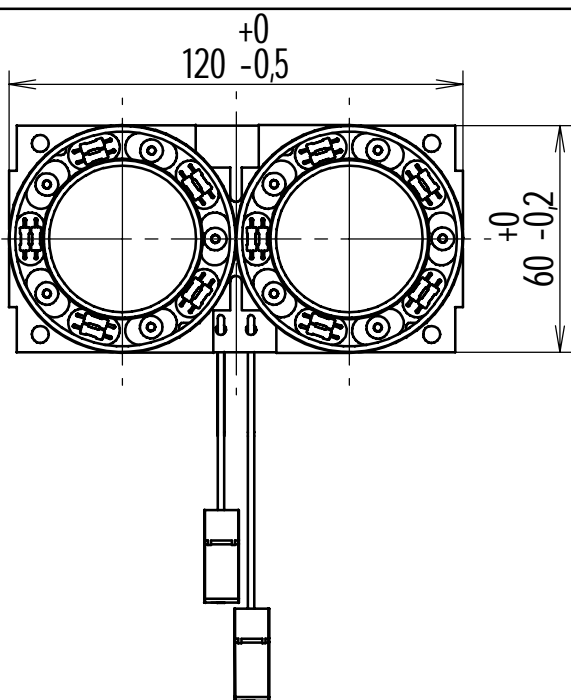
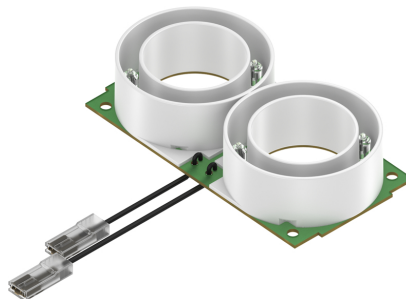




Illumination for Knobs

Code 8911310405



Scale: 1:2

This product is an example of our design and production possibilities in the field of illumination. Custom designed for an electric oven manufacturer, the initial most important requirements were:

- 1) Low investments in tooling
- 2) Flexibility for alternative executions
- 3) Good resistance to high temperatures
- 4) Good electric and fire resistance

After to our different proposals, the client ordered us the present product, which meets all requirements.

Before submit product to client, our laboratory tested all prescribed parameters.