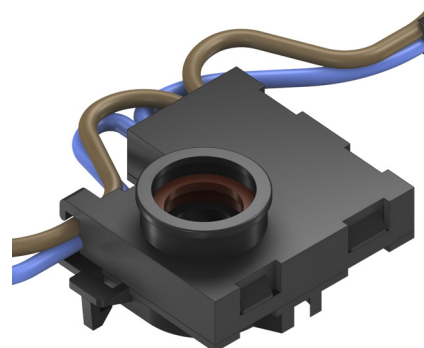
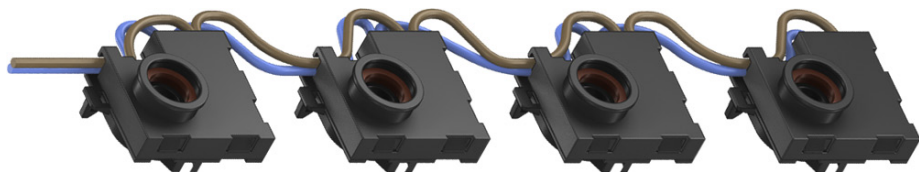
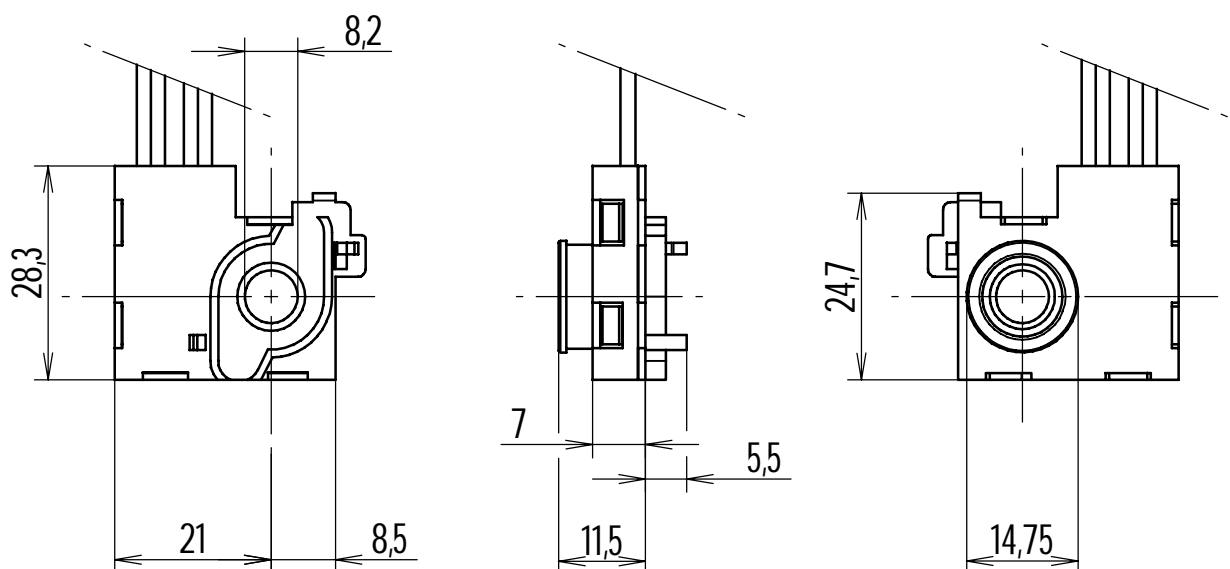


Push-button 053 for Gas Taps



Example of chain

Switch 053



Tolerances unless otherwise stated: ± 0.2

Scale: 1:1

This biased single pole switch is used to be incorporated in appliances (f.e. gas cookers between the knob and the gas tap), where small currents at 250V AC and high ambient temperatures are frequently operated (f.e. spark ignition).

Usually supplied connected in a chain of flexible non rewirable cables. A variable number of switches can be inter-connected in parallel with one or both wires in common, in series, a. s. o..

Directly operated (or indirectly via a custom designed spring).

Wiring, and if requested the spring, are custom designed.

The switch itself is standard and marked with various international conformity marks.

For details, please see our web page.



electrónica de precisión, s.a.

C./ Galileo, 17 Polígono Industrial Can Estella
E-08635 Sant Esteve Sesrovires
BARCELONA

Tel.: +34 93 774 69 10
Fax.: +34 93 774 65 00
e-mail: epsa@edep.com
http://www.edep.com



Technical specifications series 053

The switch for appliance with "common" type reference 053 is a non rewirable switch to be incorporated in an appliance (1* see notes). The following specification is a guide for end users.

Method of actuating: push-button (single pole), biased

IP protection rating: IP 10 (2* see notes)

Suitable for degree of pollution: for use in a dirty situation

For use in: Class I appliance

Ambient air temperature: 0°C to 120°C, including the actuating member

Actuation: indirect (3* see notes)

Nature of supply: AC, 50 or 60 Hz (50 to 60 Hz)

Rated voltage: 250 V

Rated current: 0.1 A

Nature of load: resistive (cos phi greater than 0.95)

Connections: by firmly fastened flexible cables or cable chain (4* see notes)

Cables: flexible, with 0.5 mm² cross section (5* see notes)

Number of operating cycles: for frequent operation; 50000 operating cycles under test conditions


Circuit disconnection: micro-disconnection

Proof tracking index: 250 V

Switch category: category D (6* see notes)

Resistance to fire of all plastic parts: 850°C glow wire test (6* see notes)

Applicable standard: EN 61058 and IEC 1058

Conformity marks: 

Voluntary conformity marks:  

Other certifications: The conformity with IEC D58 is also certified by a CB test certificate

Order instructions

Please indicate: Type reference, number of switches and full wire specification (type, lengths, end finish a.s.o.) together with drawing.

This is necessary for the first order and to be in accordance with the prescriptions of product identification of the standard(s) and (or) of the certification institute(s). For the following orders this can be substituted by a code of ten numbers which we assign to all our products and coincides with our drawing number.

Notes to the technical specifications

1* This biased push-button switch is typically incorporated in gas appliances, where it is located behind the control panel fitted over the gas tap. The type 053 fits together f. e. with the tap family CAM17526 manufactured by Copreci. The actuating knob, which is fitted in the bolt of the tap, is designed specifically by each user (appliance manufacturer). Although the switch does only work correct when also fitted correct, it is not considered an "integrated" switch, because it can be tested separately, which corresponds to an "incorporated" switch.

2* The appliance manufacturer can substantially improve the protection rating by accurately designing the knob to bolt connection. The "collar" on the upper side of the switch is designed to assist with this.

3* Although the switch can be operated directly, f. e. for test purposes, he is usually operated indirectly, via a helical spring for the following reasons:

- a) the actual differences between operating travel of the switch and gas tap.
- b) the tolerances in assembly of the knob, tap and switch.
- c) the varying operating travel of the taps.

The pretravel of the switch is 0.7 mm maximum and the overtravel 0.8 minimum.

4* The switch is connected individually or in a chain (usually 4 units) by firmly fitted non rewirable cables. When specifying a chain, customer has to indicate, if necessary with sketch, drawing or electrical diagram, any relevant information.

In the event of a fault in either switch or cables, the entire unit has to be replaced.

5* The cables are (multistranded) flexible wires with a cross section of 0.5 mm². All wires disponible on market for use at temperatures up to 120°C can be incorporated, like silicone insulated wires (types SiF or N2GFAF) or glass fiber reinforced types for higher physical protection. The customer has to specify the cable as well as other details, as f. e. colours, lengths and cable end finish.

6* Although the switch has a rated current of less than 0.5 A and this corresponds to category D, the glow wire test is passed at 850°C, as for category D.

Additionally we inform, that the plastic materials used for all plastic parts are listed by UL with fire resistance of V0.