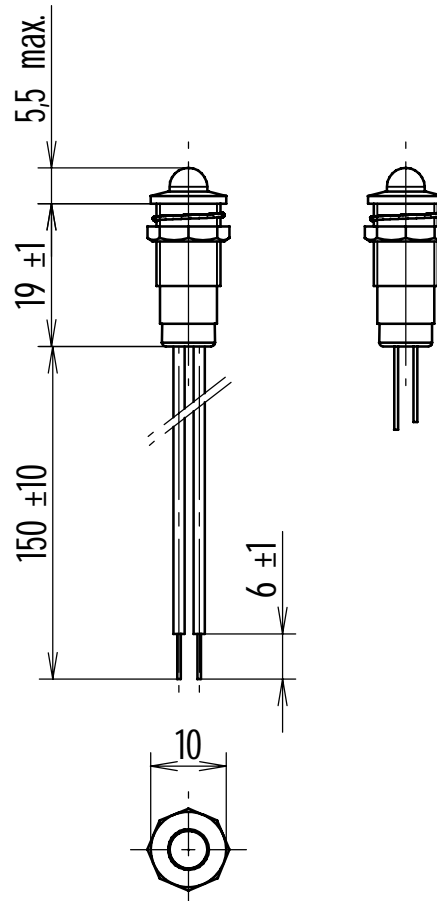
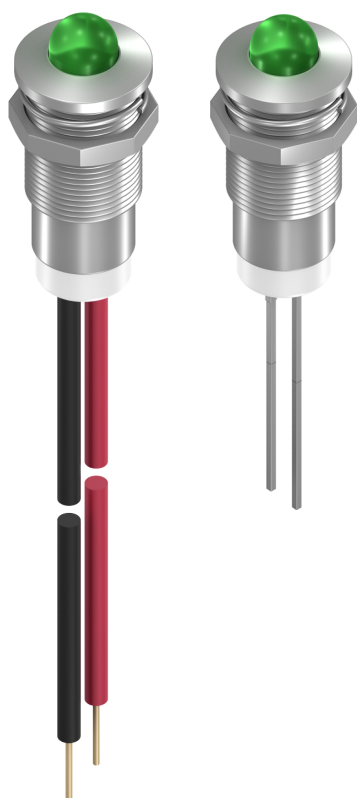




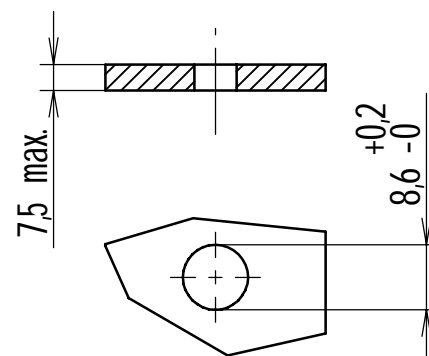
Indicator Light Type 850



Tolerances unless otherwise stated: ± 0.2 Scale: 1:1

Indicator light for building in.
Chrome plated brass housing.
The fixing is by nut and allows good subsection even on large panel thickness.
Only for small voltages by means of light emitting diodes (L.E.D.).
Different voltages, colours, and brightnesses available.
For details, please see our web page.

Recommended cutout



Scale: 1:1



electrónica de precisión, s.a.

C./ Galileu, 17 Polígono Industrial Can Estella
E-08635 Sant Esteve Sesrovires
BARCELONA

Tel.: +34 93 774 69 10
Fax.: +34 93 774 65 00
e-mail: epsa@edep.com
http://www.edep.com



Technical specifications series 850 and 851

This indicator light for building in is designed for general use and mounting by nut to panel. The housing is composed of two pieces, the socket and the metallic housing itself.

Following specifications are a guide for end users:

Connection means: Lead wires (cables).

Ambient temperature: To be used at an ambient temperature of maximum 90 °C.

Rated voltage: 6V or 12V or 24V, for all voltages, please see "Lighting means".

Nature of supply: AC or DC.

Lighting mean: The lighting mean is a light emitting diode (L. E. D.).

Colours of lighting mean: Red, green, amber.

Notes and other technical specifications:

Life expectancy: As known, the light emitting diodes are electronic components and have a large life, so an average life of 50.000 hours can be expected if not submitted to higher temperatures, peak currents or voltages.

Other voltages: Under request also other voltages for different natures of supply can be offered.

Other colours of lighting mean: Under request and price increase other colours can be manufactured. The constant and fast evolution of optoelectronic technology permits very much colours of signal, like blue, white, yellow and various kinds of red, green and amber.

Brightness: Our indicator light has high brightness output. Other brightnesses available under request and according to technical development.

Connection means and nature of supply: Light emitting diodes are designed to be connected to a DC source of small voltage (usually between 1.5V and 3V depending of type of L. E. D.). We can supply the indicator light without the series resistor(s), when customer takes charge of the control of the voltage and current values (usually 20 mA) in his application. In these executions the indicator light can be delivered either with direct connection through the L. E. D. terminals or through cables. The identification of the anode of the L. E. D., which is the positive pole, is identified by the larger terminal or the red colour of cable. Standard types have incorporated one or two resistors inside the housing. The red cable corresponds to the positive pole on DC executions.

Order Instructions

For orders, please indicate: Type reference, nominal voltage, nature of supply and signal colour.

Example: Indicator light type 851, 24V, DC, green.

Any special requirement (f. e. other voltages, other signal colours, other cable lengths, without cables, a. s. o.) is considered a special execution and his supply and order identification has to be confirmed specially by us.

These details are necessary for the first order. For following orders this can be substituted by a code of ten numbers which we assign to all our products and coincides with our drawing number.