



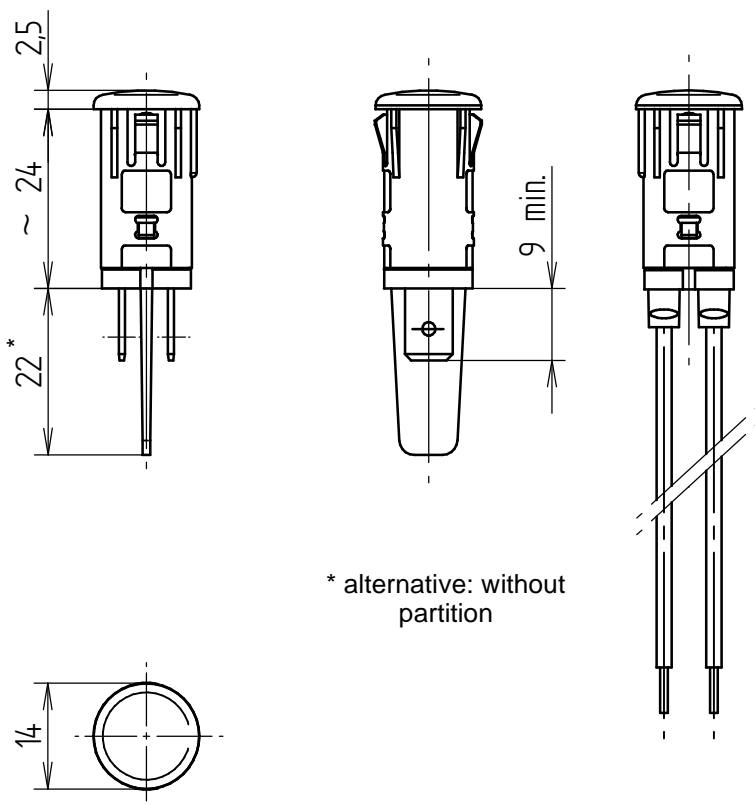
# electrónica de precisión, s.a.

C./ Galileu, 17 Polígono Industrial Can Estella  
E-08635 Sant Esteve Sesrovires  
BARCELONA

Tel.: +34 93 774 69 10  
Fax.: +34 93 774 65 00  
e-mail: epsa@edep.com  
http://www.edep.com



## Indicator Light Type 660



Tolerances unless otherwise stated:  $\pm 0.2$

Scale: 1:1

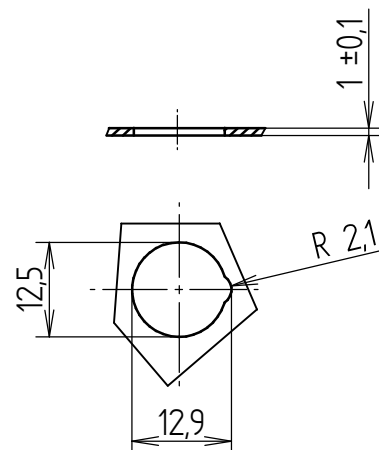
Indicator light for building in.

Body with transparent coloured lens in one compact piece.

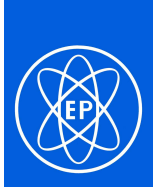
Different voltages, colours, connections, lighting technologies, resistances to temperature, conformity marks and also with special specifications available.

For details, please see our web page.

### Recommended cutout



On introducing side no sharp edges!  
Scale: 1:1



# electrónica de precisión, s.a.

C./ Galileu, 17 Polígono Industrial Can Estella  
E-08635 Sant Esteve Sesrovires  
BARCELONA

Tel.: +34 93 774 69 10  
Fax.: +34 93 774 65 00  
e-mail: epsa@edep.com  
http://www.edep.com



## Technical specifications series 660

This indicator light for building in is designed for general use and snap-in mounting to panel. The housing is composed of two thermoplastic pieces, the socket and the housing itself. His lens is available in transparent colours. The housing, incorporates the fixing elements. In the socket are placed the connection and lighting means.

Following specifications are a guide for end users:

**Connection means:** Tabs (male terminals) 6.3 x 0.8, Lead wires (cables), flexible of 0.5 mm<sup>2</sup> cross section, according to temperature and standards.

**Ambient temperature:** To be used at an ambient temperature of maximum: 85°C, 120°C, 150°C and 170°C.

**Rated voltage:** 250V (can be used down to 220V), please see "Lighting means".


**Nature of supply:** AC and DC.

**Lighting means:** Neon glowlamp for either DC or AC or L.E.D.

**Colours of lens:** Red transparent, green transparent, amber (orange transparent), colourless (clear transparent) and blue transparent.

**Colours of lighting means:** Glowlamp: orange (normal type) or with integrated fluorescent: green and blue; L.E.D.: red, green, blue, amber and white

**Applicable standard:** VDE 0710 and, as far as applicable, IEC 598 (EN 60 598).

**Conformity marks:** 

**Voluntary conformity marks:** under request

### **Notes and other technical specifications:**

**Life expectancy:** Glowlamps have an average life of 30.000 hours at ambient temperature of 25°C. These values are given for AC supply and standard types. Please ask for specifications for other types.

**Quench resistor:** Indicator lights with glowlamp can light a little bit because of the proximity of induction, a lot of cables, or large currents in the mains, even if one pole of the source is disconnected. This phenomenon is solved either with two pole disconnection or incorporating an additional parallel resistor.

**Other voltages:** Under request also other voltages for different natures of supply can be offered.

**Other colours of lighting means:** The orange colour of glowlamp, normally red orange, is also available in pinky orange; ask for special quote.

**Other ambient temperature:** If the indicator light has to work at other ambient temperatures, ask for special quote.

**Brightness:** Our indicator has high brightness light output. Other brightnesses available under request. The life expectancies vary from those specified above.

**Cutout:** If your cutout is not exactly the recommended one, please consult.

### Order Instructions

For orders, please indicate: Type reference, colour of lens, lighting mean and his colour, maximum temperature of use and connection means (if tabs, also if the socket has to be without partition). If the lighting mean is L.E.D., you have also to specify type of current (AC or DC).

Example: Indicator light type 660, green transparent lens, green fluorescent glowlamp, 120°C, tabs 6.3 x 0.8.

Any special requirement (f. e. specific plastic raw material, quench resistor and his ohmic value, other ambient temperature, other voltage, different mounting hole, a. s. o.) is considered a special execution and his supply and order identification has to be confirmed specially by us.

These details are necessary for the first order and to be in accordance with the prescriptions of product identification of the standard(s) and (or) of the certification institute(s).

For following orders this can be substituted by a code of ten numbers which we assign to all our products and coincides with our drawing number.