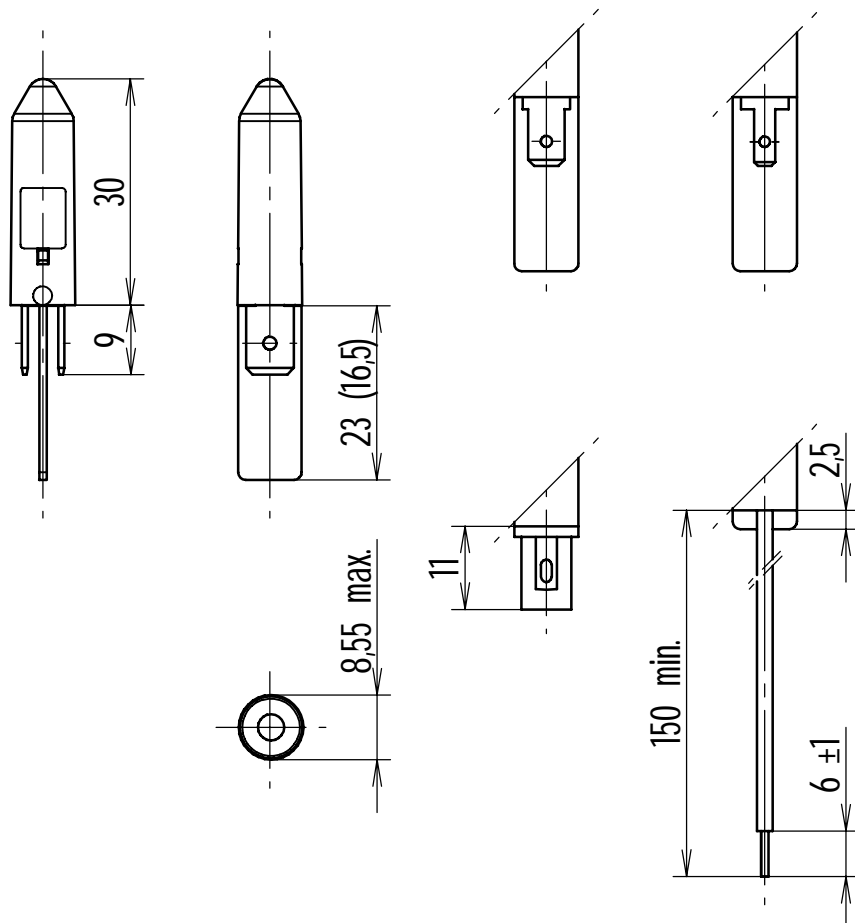




Indicator Light Unit Type 40



Tolerances unless otherwise stated: ± 0.2

Scale: 1:1

Indicator light unit for building in.

Body colourless transparent.

Different voltages, colours, connections, lighting technologies, resistances to temperature, conformity marks and also with special specifications available.

For details, please see our web page.



electrónica de precisión, s.a.

C./ Galileu, 17 Polígono Industrial Can Estella
E-08635 Sant Esteve Sesrovires
BARCELONA

Tel.: +34 93 774 69 10
Fax.: +34 93 774 65 00
e-mail: epsa@edep.com
http://www.edep.com



Technical specifications series 40

(page 1 of 2)

This indicator light for building in is designed as an improved alternative to lightings assemblies with sleeves as insulation. Usually used as lighting unit inside or behind plastic difusers or lenses and fixed by these. The correct mounting has to be assured in the appliance. The housing is composed of two thermoplastic pieces, the socket and the colourless transparent housing itself. In the socket are placed the connection and lighting means. Following specifications are a guide for end users:

Connection means: Lead wires (cables) , flexible, with 0.5 mm² cross section, according to standards, Tabs (male terminals) 6.3 x 0.8, Tabs (male terminals) 4.8 x 0.8, Tabs (male terminals) 2.8 x 0.8, Tabs (male terminals) 2.8 x 0.5 (can also be used as solder terminals) .

Ambient temperature: To be used at an ambient temperature of maximum 90°C, 105°C, 120°C and 170°C, please see "Notes and other technical specifications" the temperatures smaller than 170°C can also be distinguished by a key, where "A" stands for 120°C, "E" for 105°C and "F" for 90°C.

Rated voltage: 6V, 12V, 24V, 130V (can be used down to 110V) , 250V (can be used down to 220V) , 400V (can be used down to 370V) for all voltages, please see "Lighting means".


Nature of supply: AC and (or) DC please see "Lighting means".


Lighting means L. E. D. (light emitting diode) : for use at 6V, 12V and 24V DC or AC; Incandescent lamp: for use at 6V, 12V and 24V either DC or AC; Neon glowlamp: for use at 130V, 250V and 400V either DC or AC.

Colours of housing: Colourless (clear transparent) .

Colours of lighting means: L. E. D.: red, green, and amber; Incandescent lamp: white; Glowlamp: orange (normal type) with integrated fluorescent green and blue.

Applicable standard: VDE 0710 and, as far as applicable, IEC 598 (EN 60 598) .

Conformity marks: 

Voluntary conformity marks:  for some executions

Notes and other technical specifications:

Nature of supply: This detail is not necessary to be specified for executions 250V and 400V, but for 130V it is imperative. Also for executions 6V, 12V and 24V and equipped with L. E. D. it must be indicated (not necessary for incandescent lamp) .

The positive pole (anode) on the DC executions with L.E.D. is distinguished by a red lead wire (cable) .

Life expectancy: Light emitting diodes have an average life of 50.000 hours at ambient temperature of 25°C, incandescent lamps of 5000 or 10.000 hours (depending on voltage) under same conditions and glowlamps normally 30.000 hours. These values are given for AC supply and standard types. Please ask for specifications for other types.

Quench resistor: Indicator lights with glowlamp can light a little bit because of the proximity of induction, a lot of cables, or large currents in the mains, even if one pole of the source is disconnected. This phenomenon is solved either with two pole disconnection or incorporating an additional parallel resistor.

Other voltages: Under request also other voltages for different natures of supply can be offered.

Other colours of lighting means: Specially for L. E. D. there are different colours available under request, as f. e. blue, white, yellow and different kinds of red, green and amber. The orange colour of glowlamp, normally red orange, is also available in pink yorange ask for special quote

Ambient temperature: For small voltage executions incorporating L. E. D. the maximum temperature of use is 90°C. Executions with incandescent lamp have to be consulted.

Other ambient temperature: If the indicator light has to work in other ambient temperatures, ask for special quote.

Brightness: Our indicator has high brightness light output. Other brightnesses available under request. The life expectancies vary from those specified above.



electrónica de precisión, s.a.

C./ Galileu, 17 Polígono Industrial Can Estella
E-08635 Sant Esteve Sesrovires
BARCELONA

Tel.: +34 93 774 69 10
Fax.: +34 93 774 65 00
e-mail: epsa@edep.com
<http://www.edep.com>



Technical specifications series 40

(page 2 of 2)

Order Instructions

For orders, please indicate: Type reference, voltage, nature of supply (if voltage is smaller than 220V) , maximum temperature of use or its key, lighting mean and his colour and connection means.

Examples: Indicator light type 40, 250V, 90°C, green fluorescent glowlamp, lead wires (cables) or:

Indicator light type 40B, 12V DC, red L. E. D., tabs 4.8 x 0.8.

Any special requirement (f. e. specific plastic raw material, quench resistor and his ohmic value, other finish of cables, connectors, other ambient temperature, other colour of housing, other protection against water, a. s. o.) is considered a special execution and his supply and order identification has to be confirmed specially by us.

These details are necessary for the first order and to be in accordance with the prescriptions of product identification of the standard(s) and (or) of the certification institute(s) .

For following orders this can be substituted by a code of ten numbers which we assign to all our products and coincides with our drawing number.