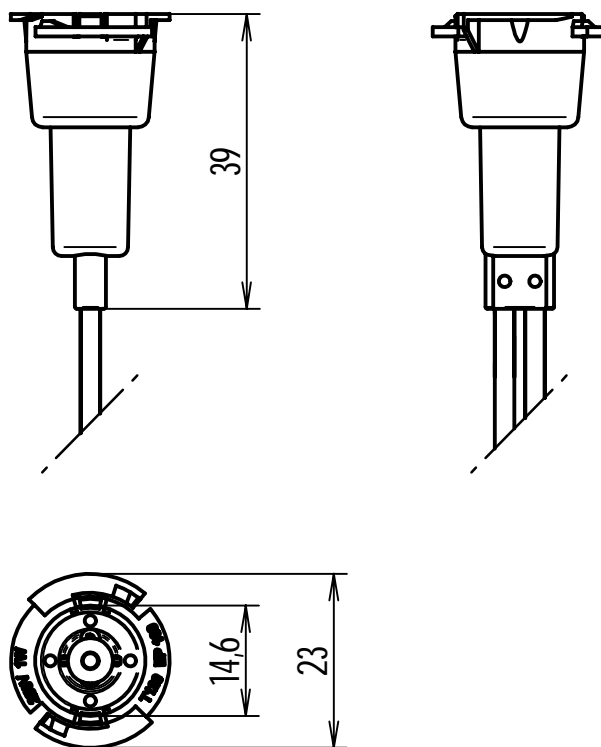


## Indicator Light Custom Made Type 169



Tolerances unless otherwise stated:  $\pm 0.2$

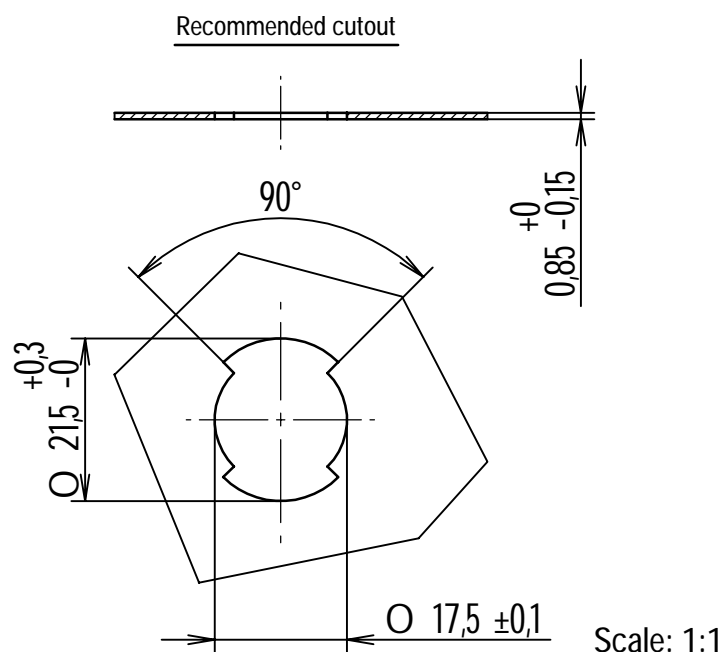
Scale: 1:1

Custom designed for and in cooperation with a manufacturer of cookers, the initial most important requirements were:

- 1) Low cost
- 2) Low investments in tooling
- 3) Fixing by twist similar to bayonet
- 4) Good finish
- 5) For 250V ac source

The present product was developed for mass production.

Also available with coloured difuser



Scale: 1:1