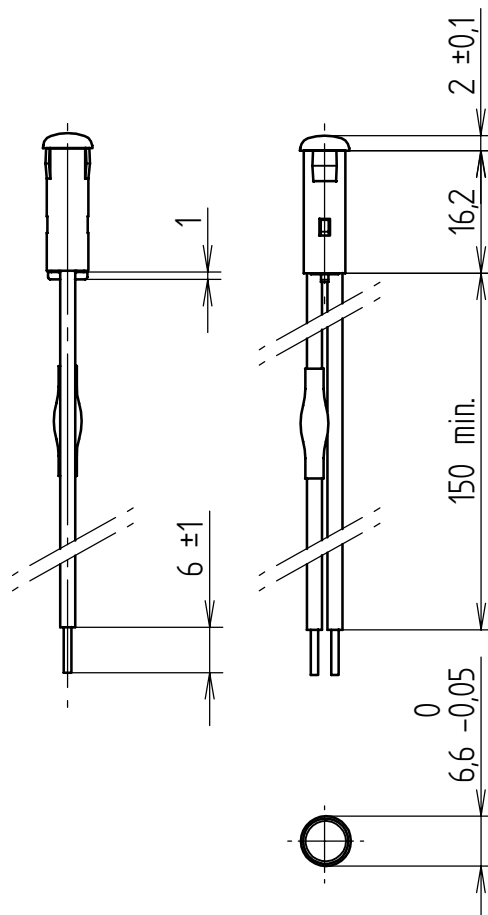




Indicator Light Type 111



Tolerances unless otherwise stated: ± 0.2

Scale: 1:1

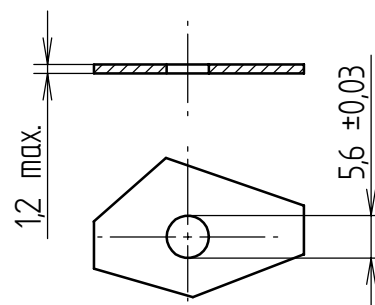
Indicator light for building in.

Both the housing in transparent colours and the white base are designed in very small sizes. Also to save space the resistor is located in one of the lead wires (cables) and covered by an insulating sleeve.

Different voltages, colours, lighting technologies, resistances to temperature, conformity marks and also with special specifications available.

For details, please see our web page.

Recommended cutout



On introducing side no sharp edges!

Scale: 1:1



electrónica de precisión, s.a.

C./ Galileu, 17 Polígono Industrial Can Estella
E-08635 Sant Esteve Sesrovires
BARCELONA

Tel.: +34 93 774 69 10
Fax.: +34 93 774 65 00
e-mail: epsa@edep.com
http://www.edep.com



Technical specifications series 109 and 111

(page 1 of 2)

This indicator light for building in is designed for general use and snap-in mounting to panel.

The housing is composed of two thermoplastic pieces, the socket and the housing itself with his lens. The housing is available in transparent colours and incorporates the fixing elements. In the socket are placed the connection and lighting means.

Following specifications are a guide for end users:

Connection means: Lead wires (cables), flexible, with 0.5 mm² cross section, according to standards.

Ambient temperature: To be used at an ambient temperature of maximum 90°C and 120°C please see "Notes and other technical specifications" the temperatures can also be distinguished by a key, where "A" stands for 120°C and "F" for 90°C.

Rated voltage: 6V, 12V, 24V, 130V (can be used down to 110V), 250V (can be used down to 220V), 400V (can be used down to 370V) for all voltages, please see "Lighting means".

Nature of supply: AC and (or) DC, please see "Lighting means".

Lighting means L. E. D. (light emitting diode): for use at 6V, 12V and 24V DC or AC.

Incandescent lamp: for use at 6V, 12V and 24V either DC or AC.

Neon glowlamp: for use at 130V, 250V and 400V either DC or AC.


Colours of lens: Red transparent, green transparent, amber (orange transparent), colourless (clear transparent) and blue transparent..

Colours of lighting means: L. E. D.: red, green, and amber.

Incandescent lamp: white.

Glowlamp: orange (normal type) with integrated fluorescent: green and blue.

Applicable standard: VDE 0710 and, as far es applicable, IEC 598 (EN 60 598).

Conformity marks: 

Notes and other technical specifications:

Nature of supply: This detail is not necessary to be specified for executions 250V and 400V, but for 130V it is imperative. Also for executions 6V, 12V and 24V and equipped with L. E. D. it must be indicated (not necessary for incandescent lamp). The positive pole (anode) on the DC executions with L.E.D. is distinguished by a red lead wire (cable).

Life expectancy: Light emitting diodes have an average life of 50.000 hours at ambient temperature of 25°C, incandescent lamps of 5.000 or 10.000 hours (depending on voltage) under same conditions and glowlamps normally 30.000 hours. These values are given for AC supply and standard types. Please ask for specifications for other types.

Quench resistor: Indicator lights with glowlamp can light a little bit because of the proximity of induction, a lot of cables, or large currents in the mains, even if one pole of the source is disconnected. This phenomenon is solved either with two pole disconnection or incorporating an additional paralel resistor.

Other voltages: Under request also other voltages for different natures of supply can be offered.

Other colours of lighting means: Specially for L. E. D. there are different colours available under request, as f. e. blue, white, yellow and different kinds of red, green and amber. The orange colour of glowlamp, normally red orange, is also available in pinky orange ask for special quote.

Ambient temperature: For small voltage executions incorporating L. E. D. the maximum temperature of use is 90°C. Executions with incandescent lamp have to be consulted.

Other ambient temperature: If the indicator light has to work in other ambient temperatures, ask for special quote.

Brightness: Our indicator has high brightness light output. Other brightnesses available under request. The life expectancies vary from those specified above.



electrónica de precisión, s.a.

C./ Galileu, 17 Polígono Industrial Can Estella
E-08635 Sant Esteve Sesrovires
BARCELONA

Tel.: +34 93 774 69 10
Fax.: +34 93 774 65 00
e-mail: epsa@edep.com
<http://www.edep.com>



Technical specifications series 109 and 111

(page 2 of 2)

Order Instructions

For orders, please indicate: Type reference, voltage, nature of supply (if voltage is smaller than 220V), maximum temperature of use or its key, colour of lens, and lighting mean and his colour.

Examples: Indicator light type 109, 250W, 120°C, green transparent lens, green fluorescent glowlamp, or:

Indicator light type 111F, 12V DC, red transparent lens, L. E. D. red.

Any special requirement (f. e. specific plastic raw material, quench resistor and his ohmic value, other finish of cables, connectors, other ambient temperature, a. s. o.) is considered a special execution and his supply and order identification has to be confirmed specially by us.

These details are necessary for the first order and to be in accordance with the prescriptions of product identification of the standard(s) and (or) of the certification institute(s).

For following orders this can be substituted by a code of ten numbers which we assign to all our products and coincides with our drawing number.