



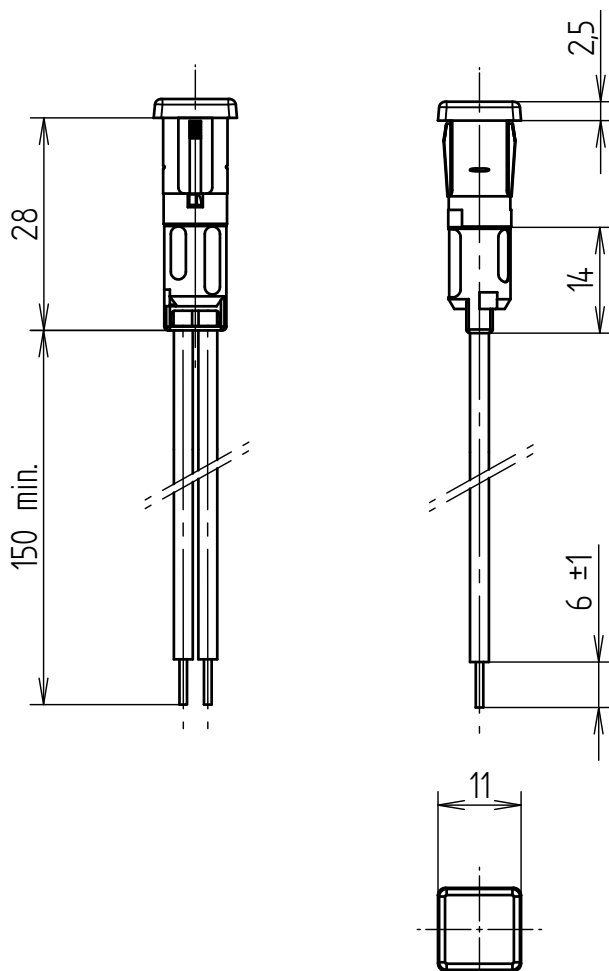
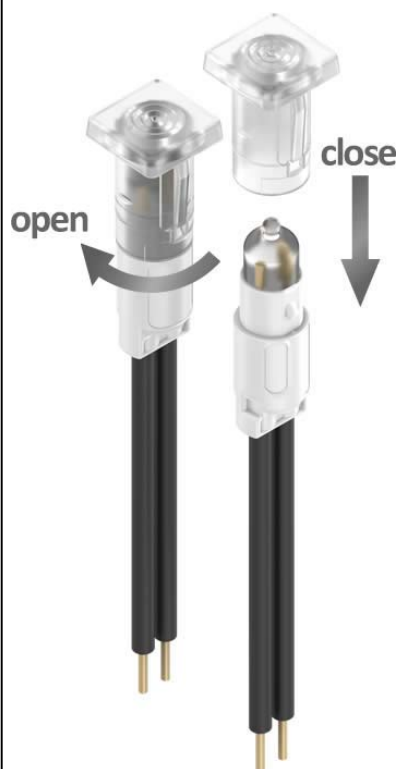
# electrónica de precisión, s.a.

C./ Galileu, 17 Poigono Industrial Can Estella  
E-08635 Sant Esteve Sesrovires  
BARCELONA

Tel.: +34 93 774 69 10  
Fax.: +34 93 774 65 00  
e-mail: epsa@edep.com  
http://www.edep.com



## Indicator Light Type 715



Tolerances unless otherwise stated:  $\pm 0.2$

Scale: 1:1

Indicator light for building in.

Socket with lead wires can be twisted off by turning it clockwise.

Housing with lens in transparent colours can be replaced or changed easily.

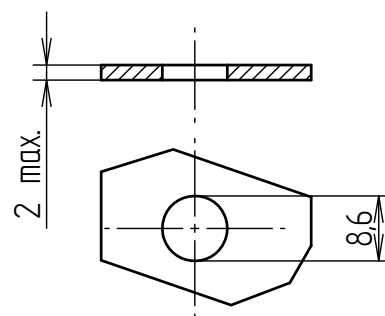
Suitable for mounting in two operations (socket inside, body outside).

With only one type of socket on stock, different indicator lights can be combined (cheaper store).

Different voltages, colours, resistances to temperature, conformity marks and also with special specifications available.

For details, please see our web page.

### Recommended cutout



On introducing side no sharp edges!

Scale: 1:1



# electrónica de precisión, s.a.

C./ Galileu, 17 Poigono Industrial Can Estella  
E-08635 Sant Esteve Sesrovires  
BARCELONA

Tel.: +34 93 774 69 10  
Fax.: +34 93 774 65 00  
e-mail: epsa@edep.com  
http://www.edep.com



## Technical specifications series 712, 715, 717, 771

This indicator light for building in is designed for general use and snap-in mounting to panel. The housing is composed of two thermoplastic pieces, the socket and the housing itself. The housing is available in transparent colours inside the socket are placed the connection and lighting means.

Following specifications are a guide for end users:

**Connection means:** Lead wires (cables).

**Ambient temperature:** To be used at an ambient temperature of maximum 90 °C or 120°C or 150°C or 170°C.

**Rated voltage:** 130V (can be used down to 110V), 250V (can be used down to 220V), 400V (can be used down to 370V); for all voltages, please see "Lighting means".


**Nature of supply:** AC and DC.

**Lighting mean:** The lighting mean is a neon glowlamp.

**Colours of lens:** Red transparent, green transparent, amber (orange transparent), colourless (clear transparent) and blue transparent.

**Colours of lighting means:** Glowlamp: orange (normal type) with integrated fluorescent: green and blue.

**Applicable standard:** VDE 0710 and, as far as applicable, IEC 598 (EN 60 598).

**Conformity marks:** 

**Voluntary conformity marks:** 

### **Notes and other technical specifications:**

**Life expectancy:** Neon glowlamps have an average life of 30.000 hours at ambient temperature of 25°C. This value is given for AC supply and standard types. Please ask for specifications for other types.

**Quench resistor:** Indicator lights with glowlamp can light a little bit because of the proximity of induction, a lot of cables, or large currents in the mains, even if one pole of the source is disconnected. This phenomenon is solved either with two pole disconnection or incorporating an additional parallel resistor.

**Other voltages:** Under request also other voltages for different natures of supply can be offered.

**Other colours of lens:** Under request and price increase other lens colours can be manufactured.

The orange colour of glowlamp, normally red orange, is also available in pinky orange ask for special quote.

**Brightness:** Our indicator has high brightness light output. Other brightnesses available under request. The life expectancies vary from those specified above.

**Packaging:** We supply the indicator light as a closed compact unit, even if the socket can be twisted off, to prevent any damage during transport and following handling, f. e. glass breaking or alteration of the distances of the life parts. Even if we recommend this supply for the indicated reason, if a separate supply of socket and the housing is desired, please consult.

**Cables:** The indicator is connected through flexible lead wires of 0.5 mm<sup>2</sup> cross section, which are approved conductors for the different temperatures of use.

### Order Instructions

For orders, please indicate: Type reference, nominal voltage, ambient temperature of use, colour of housing (lens), emitted colour of glowlamp, if quenching resistor is desired and, if so, what preferred value (390 kOhm min. for 250V and 470 kOhm min. for 400V). For type 717 indicate height of lense (2mm or 2,5mm)

Examples: Indicator light type 717, height of lense 2mm, 250V, 120°C, green transparent, green fluorescent glowlamp, or: Indicator light type 712, 400V, 90°C, clear transparent, orange glowlamp, with quench resistor of 820 kOhm.

Any special requirement (f. e. for specific plastic raw material, other voltages, other lighting means, a. s. o.) is considered a special execution and his supply and order identification has to be confirmed specially by us.

These details are necessary for the first order and to be in accordance with the prescriptions of product identification of the standard(s) and (or) of the certification institute(s).

For following orders this can be substituted by a code of ten numbers which we assign to all our products and coincides with our drawing number.