



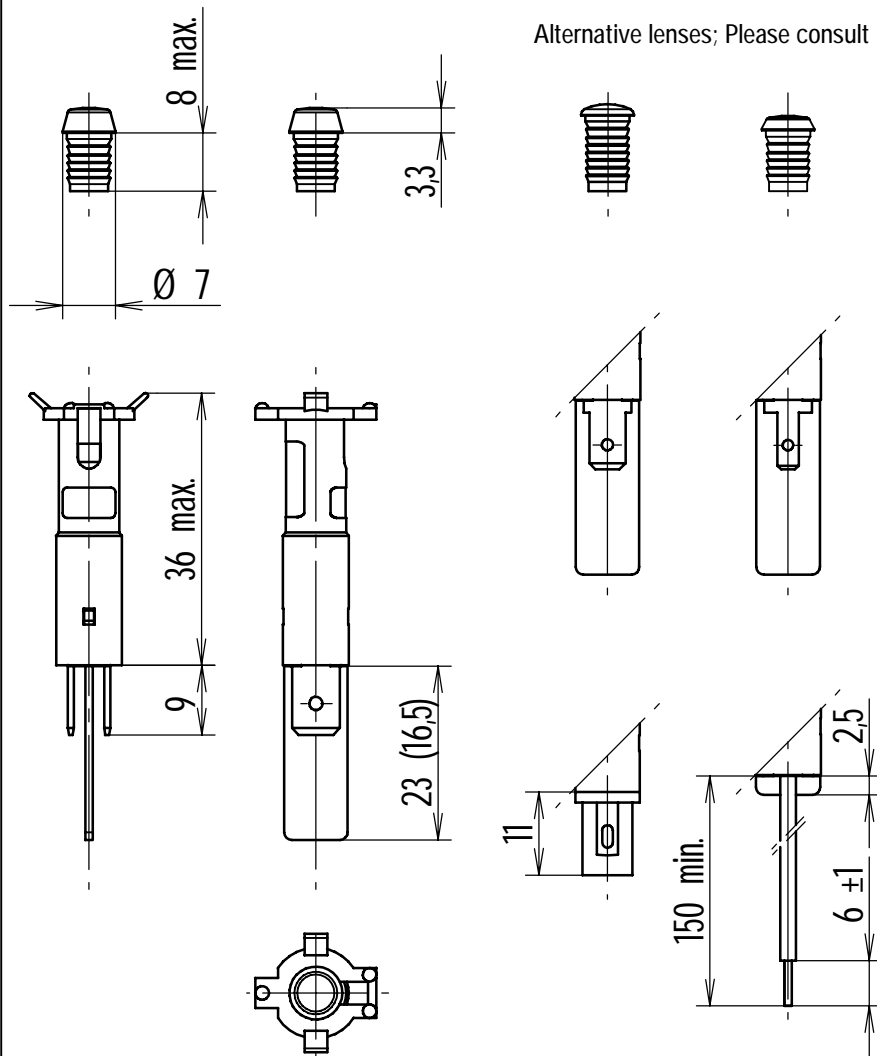
electrónica de precisión, s.a.

C./ Galileu, 17 Polígono Industrial Can Estella
E-08635 Sant Esteve Sesrovires
BARCELONA

Tel.: +34 93 774 69 10
Fax.: +34 93 774 65 00
e-mail: epsa@edep.com
http://www.edep.com



Indicator Light Type 600



Tolerances unless otherwise stated: ± 0.2

Scale: 1:1

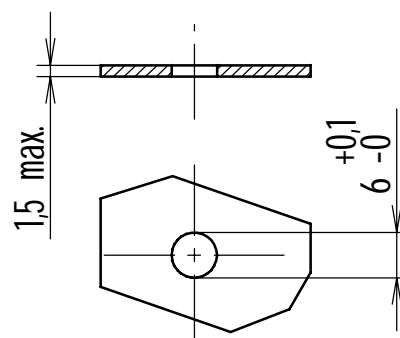
Indicator light for building in.

The lens in transparent colours is pressed into the housing when fixed to panel. Please consult for lenses for larger panel thickness and different form.

Different voltages, colours, connections, lighting technologies, resistances to temperature, conformity marks and also with special specifications available.

For details, please see our web page.

Recommended cutout



Scale: 1:1



electrónica de precisión, s.a.

C./ Galileu, 17 Polígono Industrial Can Estella
E-08635 Sant Esteve Sesroviros
BARCELONA

Tel.: +34 93 774 69 10
Fax.: +34 93 774 65 00
e-mail: epsa@edep.com
http://www.edep.com



Technical specifications series 600

This indicator light is designed for general use and snap-in mounting to panel. The housing is composed of two thermoplastic pieces, the socket, and the housing itself, which incorporates the fixing elements. The transparent lens, available in different colours, forms and lengths, is pressed from front side of panel into the housing located behind panel. In the socket are placed the connection and lighting means.

Following specifications are a guide for end users:

Connection means: Tabs (male terminals) 6.3 x 0.8, Tabs (male terminals) 4.8 x 0.8, Tabs (male terminals) 2.8 x 0.8, Tabs (male terminals) 2.8 x 0.5 (can also be used as solder terminals), Lead wires (cables).

Ambient temperature: To be used at an ambient temperature of maximum 90°C, maximum 120°C, maximum 150°C, please see "Notes and other technical specifications"; the temperatures can be distinguished also by a key, where "A" stands for 120°C, "B" for 90°C and "C" for 150°C.

Rated voltage: 130V (can be used down to 110V), 250V (can be used down to 220V), 400V (can be used down to 370V), for all voltages, please see "Lighting means".


Nature of supply: AC and DC, please see "Lighting means".

Lighting means: Neon glowlamp: for use at voltages of 130V or higher, either DC or AC.

Colours of lens: Red transparent, green transparent, amber (orange transparent), colourless (clear transparent) and blue transparent.

Colours of lighting means: Glowlamp: orange (normal type); with integrated fluorescent: green and blue.

Applicable standard: VDE 0710 and, as far as applicable, IEC 598 (EN 60 598).

Conformity marks: 

Voluntary conformity marks:  and  for nearly all executions.

Notes and other technical specifications:

Nature of supply: This detail is not necessary to be specified for executions with higher voltage, but for 130V it is imperative.

Life expectancy: Glowlamps have an average life of 30.000 hours at ambient temperature of 25°C. These values are given for AC supply and standard types. Please ask for specifications for other types.

Quench resistor: Indicator lights with glowlamp can light a little bit because of the proximity of induction, a lot of cables, or large currents in the mains, even if one pole of the source is disconnected. This phenomenon is solved either with two pole disconnection or incorporating an additional parallel resistor.

Other voltages: Under request also other voltages for different natures of supply can be offered.

Other colours for lighting means: The orange colour of glowlamp, normally red orange, is also available in pinky orange; ask for special quote.

Ambient temperature of use: If the indicator light has to work in other ambient temperatures, ask for special quote.

Brightness: Our indicator has high brightness light output. Other brightnesses available under request. The life expectancies vary from those specified above.

Cables: The cables are flexible lead wires of 0.5mm² cross section and according to standards or certification institutes.

Design lens: Other forms of lenses are available under request.

Thickness of mounting panel: If the thickness of the panel is larger than 1.5mm, or when the lens can not be pressed enough against the housing and so the fixing results not satisfactory, there are available also lenses with 2 or 4mm larger fixing rod. Send us your panel and we study the best lens; in any case, length has to be in accordance with panel thickness.

Order Instructions

For orders, please indicate: Type reference, maximum temperature of use or its key, voltage, nature of supply (if voltage is smaller than 220V), colour of lenses, lighting mean and his colour, connection means.

Examples: Indicator light type 600C, 250V, green transparent lens, green fluorescent glowlamp, lead wires (cables), or: Indicator light type 600, 90°C, 130V AC, red transparent lens, orange glowlamp, taps 6.3 x 0.8.

Any special requirement (f.e. specific plastic raw material, quench resistor and his ohmic value, special size or form for socket partition, other ambient temperature, other lens, special finishes of lead wires or with connectors, a.s.o.) is considered a special execution and his supply and order identification has to be confirmed specially by us.

These details are necessary for the first order and to be in accordance with the prescriptions of product identification of the standard(s) and (or) of the certification institute(s).

For following orders this can be substituted by a code of ten numbers which we assign to all our products and coincides with our drawing number.