



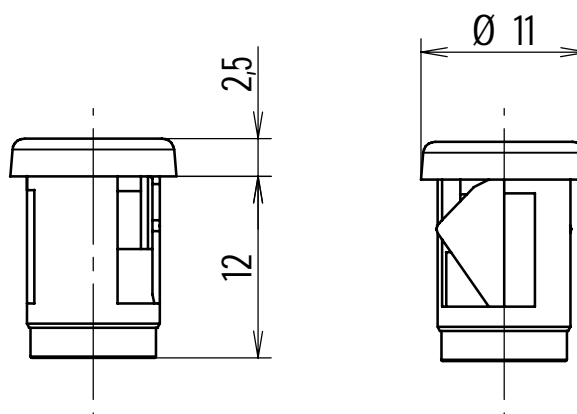
# electrónica de precisión, s.a.

C./ Galileu, 17 Polígono Industrial Can Estella  
E-08635 Sant Esteve Sesrovires  
BARCELONA

Tel.: +34 93 774 69 10  
Fax.: +34 93 774 65 00  
e-mail: epsa@edep.com  
http://www.edep.com



## Lens Reference 55



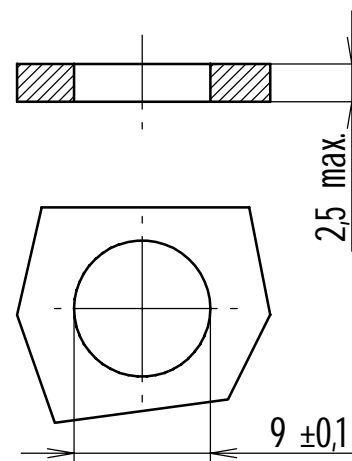
Tolerances unless otherwise stated:  $\pm 0.2$

Scale: 2:1

This thermoplastic piece can be used as a lens to be snap-in mounted to a panel and backlighted with any indicating assembly or as a cover. Also it can be used in combination with insulated lamp assembly reference 303.

It can be supplied in transparent or opaque colours, also for different temperature resistances. Please consult.

### Recommended cutout



On introducing side no sharp edges!

Scale: 2:1