



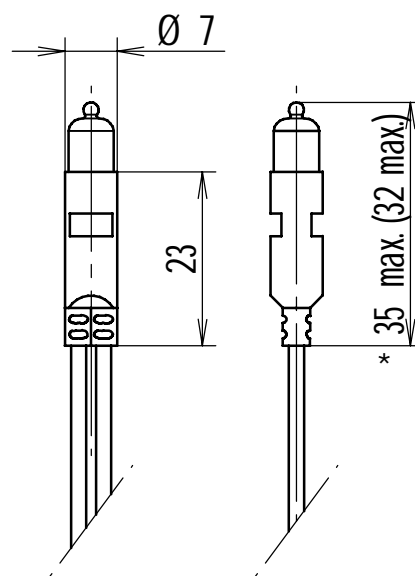
electrónica de precisión, s.a.

C./ Galileu, 17 Polígono Industrial Can Estella
E-08635 Sant Esteve Sesrovires
BARCELONA

Tel.: +34 93 774 69 10
Fax.: +34 93 774 65 00
e-mail: epsa@edep.com
<http://www.edep.com>



Lamp Assembly Reference 304



* dimensions only valid, when equipped with glowlamp

Tolerances unless otherwise stated: ± 0.2

Scale: 1:1

This insulated indicating assembly is an evolution and improvement of loose lamp assemblies often insulated by sleeves. It can be equipped with any usual lighting mean, like neon glowlamps, incandescent filament lamps or light emitting diodes (L.E.D.).

Its housing can be manufactured in transparent or opaque colours in different thermoplastic materials and resistances to temperature, The lead wires are flexible, with cross section of 0,5mm² and insulated with PVC, silicone, a.s.o. and can be equipped with terminals and other finishes.

Please consult us.

The assembly is used for backlighting behind a protection like a lens, diffuser, a.s.o.. See also our offer in lenses and clips. With our lenses references 55, 57, 58, 59, 60 and 61 it can de used like an indicator light