



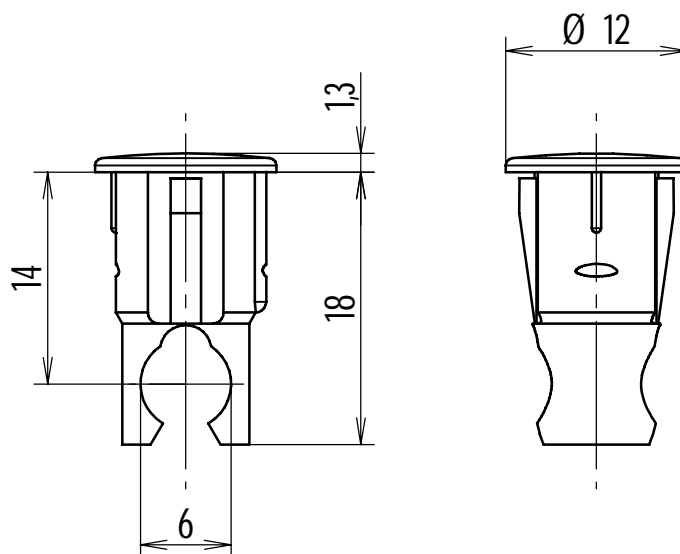
electrónica de precisión, s.a.

C./ Galileu, 17 Polígono Industrial Can Estella
E-08635 Sant Esteve Sesrovires
BARCELONA

Tel.: +34 93 774 69 10
Fax.: +34 93 774 65 00
e-mail: epsa@edep.com
http://www.edep.com



Lens
Reference 22



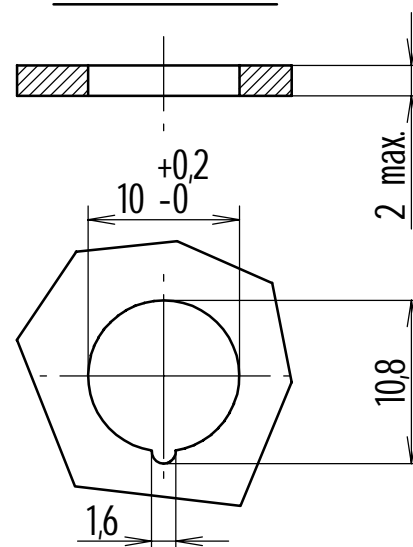
Tolerances unless otherwise stated: ± 0.2

Scale: 2:1

This thermoplastic piece can be used as a lens to be snap-in mounted to a panel and backlighted with any indicating assembly or as a cover. Also it can be used in combination with insulated lamp assembly type 300.

It can be supplied in transparent or opaque colours, also for different temperature resistances. Please consult.

Recommended cutout



On introducing side no sharp edges!

Scale: 2:1