



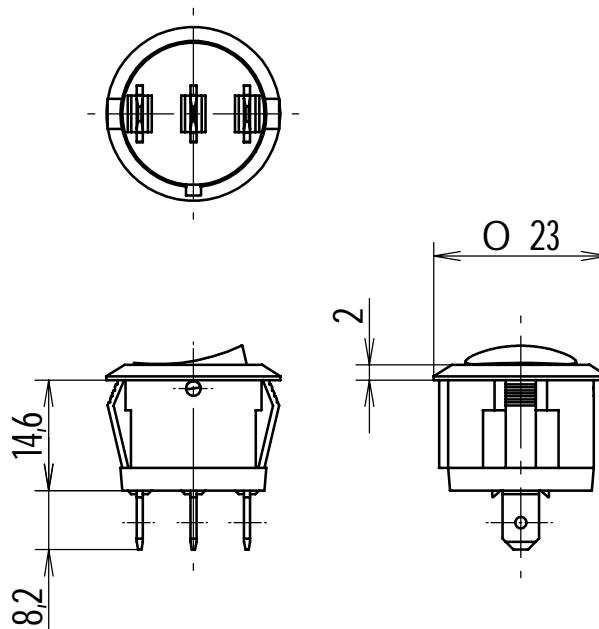
electrónica de precisión, s.a.

C./ Galileu, 17 Polígono Industrial Can Estella
E-08635 Sant Esteve Sesrovires
BARCELONA

Tel.: +34 93 774 69 10
Fax.: +34 93 774 65 00
e-mail: epsa@edep.com
http://www.edep.com



Switch for Appliance with Signal Indicator Type RL3-5



Switch drawn in "off" position

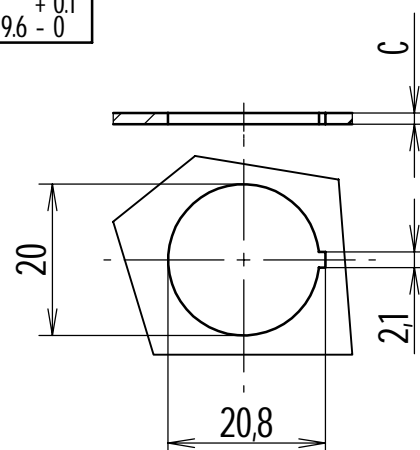
Tolerances unless otherwise stated: ± 0.2

Scale: 1:1

This single pole switch, to be incorporated in appliances, has a very small size.
Different colours of housing and rocker available.
For details, please see our web page.

C	A
0.7 - 1.2	$19.1^{+0.1}_{-0}$
1.3 - 2.0	$19.3^{+0.1}_{-0}$
2.1 - 3.0	$19.6^{+0.1}_{-0}$

Recommended cutout



On introducing side no sharp edges!

Scale: 1:1



electrónica de precisión, s.a.

C./ Galileu, 17 Polígono Industrial Can Estella
E-08635 Sant Esteve Sesrovires
BARCELONA

Tel.: +34 93 774 69 10
Fax.: +34 93 774 65 00
e-mail: epsa@edep.com
http://www.edep.com



Technical specifications series RL3-5 switches

This single pole switch with signal indicator with common type reference RL3-5 is designed in a very small size, for snap-in mounting to panel and for use as an incorporated switch.

The following specifications are a guide for end users.

Kind of actuating: Rocker switch

Connection means (terminals): Tabs (male terminals) 4.8 x 0.8

Ambient air temperature: To be used at an ambient temperature of minimum 0°C and maximum 125 °C (except the actuating member, which can be used between 0°C and 55°C)

Rated voltage: 250 V

Nature of supply: AC

Rated current and type of load: 6 A resistive load / 2 A motorload

Number of operating: 10.000 operating cycles (under load)

Contact disconnection: micro-disconnection

Proof tracking resistance index: 250V

Application class category: Category D

Degree of protection: IP40

Applicability for degree of pollution: Normal situation

Appliance: Applicability: for appliance of class II

Actuating: Direct

Colours of body: White and black.

Colours of lighted rocker: Red transparent, green transparent, amber (orange transparent), colourless (clear transparent) and blue transparent

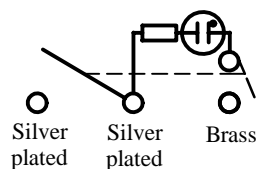
Signal indicator: The signal indicator of the rocker has the following specifications: Lighting mean is a neon glowlamp (normal, green fluorescent or blue fluorescent); nature of supply is AC; the rated voltage is 250V; the rated power is max. 1W. His function is the indication of the "on" position of the switch or another indication, when switch is in "on" position

Applicable standard: EN 61 058 (equivalent to IEC1058)

Conformity mark: 

Voluntary conformity mark: 

Electrical diagram:



Notes: Under request also other colours and printing on rocker can be offered.

Order instructions

For orders, please indicate: Kind (style) of switch, type reference (RL3-5), colour of body, colour of rocker and type of glowlamp.

Example: Single pole switch with signal indicator, type RL3-5, black, red transparent rocker, normal glowlamp.