



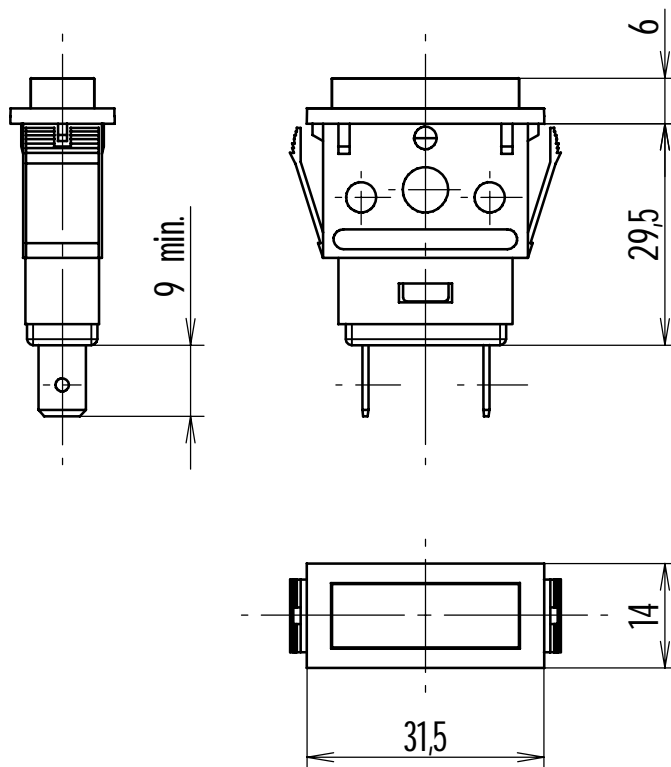
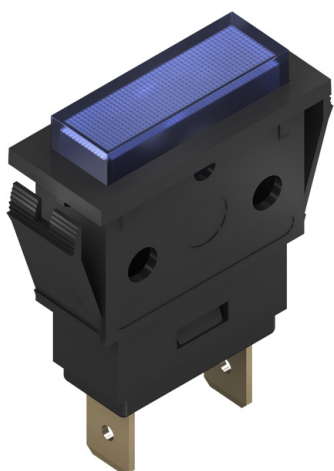
electrónica de precisión, s.a.

C./ Galileu, 17 Polígono Industrial Can Estella
E-08635 Sant Esteve Sesrovires
BARCELONA

Tel.: +34 93 774 69 10
Fax.: +34 93 774 65 00
e-mail: epsa@edep.com
http://www.edep.com



Blinking Indicator Light Type 950



Tolerances unless otherwise stated: ± 0.2

Scale: 1:1

Blinking indicator light for building in.

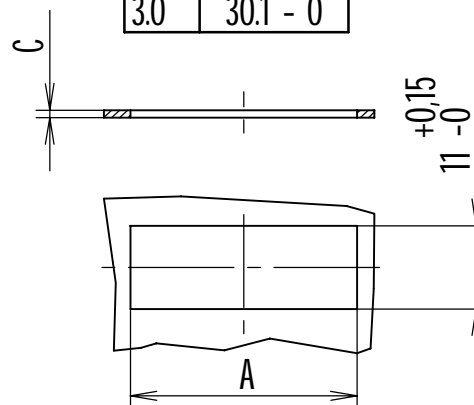
"Traditional" design similar to series 901A switches and 901- indicator lights.

This indicator light integrates an electronic device and is used as alarm signal.

For details, please see our web page.

Recommended cutout

C	A
0.7 -	+ 0.1
1.5	30.0 - 0
1.6 -	+ 0.1
3.0	30.1 - 0



On introducing side no sharp edges!

Scale: 1:1



electrónica de precisión, s.a.

C./ Galileu, 17 Polígono Industrial Can Estella
E-08635 Sant Esteve Sesrovires
BARCELONA

Tel.: +34 93 774 69 10
Fax.: +34 93 774 65 00
e-mail: epsa@edep.com
http://www.edep.com



Technical specifications series 950

This indicator light for building in is designed for general use and snap-in mounting to panel. The lens is available in red transparent colour.
Following specifications are a guide for end users:

Design: Like our switches series 901A "traditional" or indicator lights series 901- "traditional".

Connection means: Tabs (male terminals) 6.3 x 0.8.

Ambient temperature: To be used at an ambient temperature of maximum 55 °C.

Rated voltage: 250V AC (can be used down to 220V AC).


Lighting mean: Neon glowlamp.

Colour of lens: Red transparent.

Colour of body: Black.

Frequency: 60 cycles/minute of light on/ light off with a tolerance of $\pm 30\%$.

Applicable standard: VDE 0710 and, as far as applicable, EN 60 598 (equivalent to IEC).

Conformity marks: 

Voluntary conformity marks: 

Order Instructions

For orders, please indicate: Type reference

Examples: Indicator light type 950

Any special requirement is considered a special execution and his supply and order identification has to be confirmed specially by us.