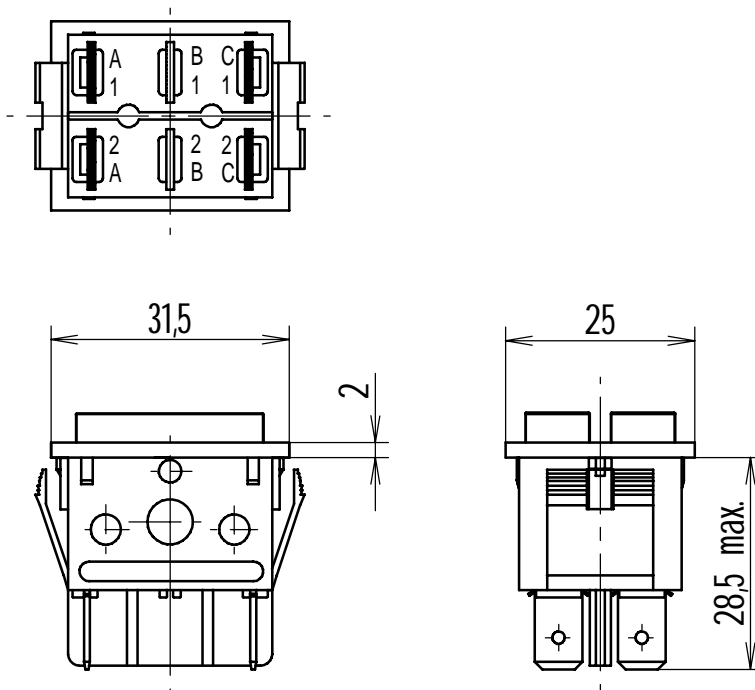
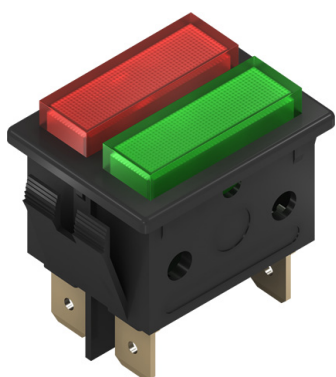




Indicator Light Type 903



Tolerances unless otherwise stated: ± 0.2

Scale: 1:1

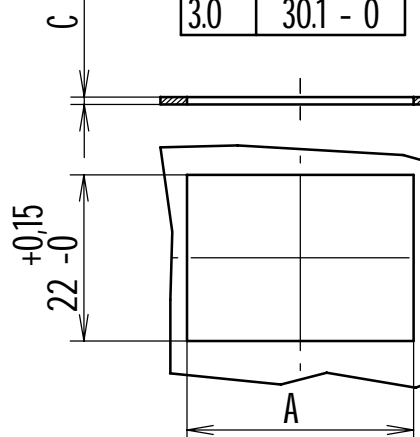
This double indicator light for building in has a "traditional" design similar to Series 902A and 903A switches.

Different colours of housing and lenses, voltages, resistance to temperature and conformity marks available.

For details, please see our web page.

Recommended cutout

C	A
0.7 -	+ 0.1
1.5	30.0 - 0
1.6 -	+ 0.1
3.0	30.1 - 0



On introducing side no sharp edges!

Scale: 1:1



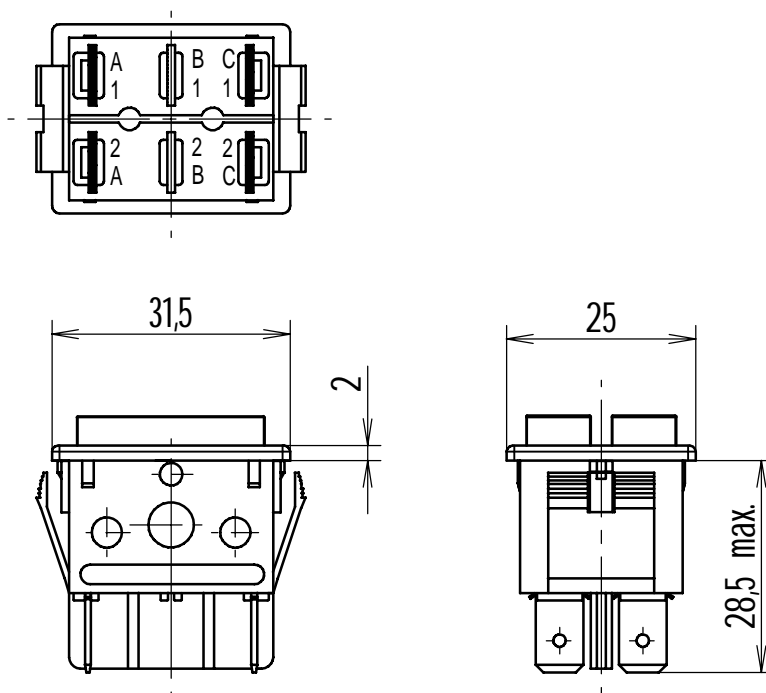
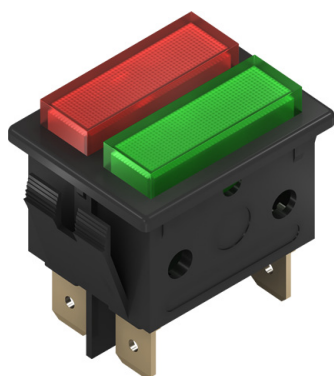
electrónica de precisión, s.a.

C./ Galileu, 17 Polígono Industrial Can Estella
E-08635 Sant Esteve Sesrovires
BARCELONA

Tel.: +34 93 774 69 10
Fax.: +34 93 774 65 00
e-mail: epsa@edep.com
http://www.edep.com



Indicator Light Type 903



Tolerances unless otherwise stated: ± 0.2

Scale: 1:1

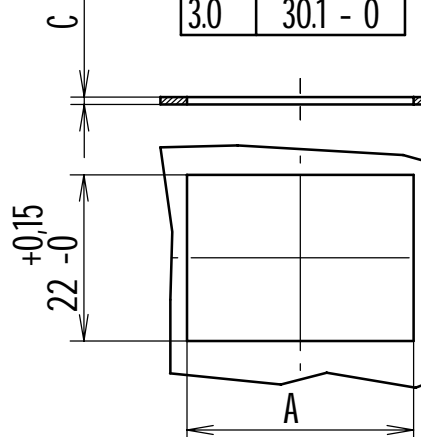
This double indicator light for building in has a "soft" design similar to Series 902A and 903A switches.

Different colours of housing and lenses, voltages, resistance to temperature and conformity marks available.

For details, please see our web page.

Recommended cutout

C	A
0.7 -	+ 0.1
1.5	30.0 - 0
1.6 -	+ 0.1
3.0	30.1 - 0



On introducing side no sharp edges!

Scale: 1:1



electrónica de precisión, s.a.

C./ Galileo, 17 Polígono Industrial Can Estella
E-08635 Sant Esteve Sesrovires
BARCELONA

Tel.: +34 93 774 69 10
Fax.: +34 93 774 65 00
e-mail: epsa@edep.com
http://www.edep.com



Technical specifications series 903- indicator lights

This indicator light for building in is designed for general use and snap-in mounting to panel. The lens is available in transparent colours. Following specifications are a guide for end users:

Design: "Traditional" or "soft"

Connection means: Tabs (male terminals) 6.3 x 0.8

Ambient temperature: To be used at an ambient temperature of maximum 85 °C (Type 90BB) or 125°C (Type 903A)

Rated voltage: 250V (can be used down to 220V),

Nature of supply: AC and DC

Lighting mean: Neon glowlamp


Colours of lenses: Red transparent, green transparent, amber (orange transparent), colourless (clear transparent) and blue transparent.

Colours of body: Black and white.

Chrome plated frame: The housing of the indicator light can also be covered by an chrome plated metal frame to improve his appearance. The size of the frontal increases to 33 x 26 x 3. National standards have to be observed; in some countries the use of metal frame is not allowed.

Colours of lighting means: orange (normal type) with integrated fluorescent: green and blue

Applicable standard: VDE 0710 and, as far es applicable, EN 60 598 (equivalent to IEC)

Conformity marks: 

Voluntary conformity marks: 

Notes and other technical specifications: Life expectancy: Glowlamps normally have an average life of 30.000 hours at ambient temperature of 25°C. This value applies for AC supply and standard types. Please ask for specifications for other types.

Quench resistor: Indicator lights with glowlamp can light a little bit because of the proximity of induction, a lot of cables, or large currents in the mains, even if one pole of the source is disconnected. This phenomenon is solved either with two pole disconnection or incorporating an additional paralel resistor.

Other executions: Under request, also other executions (voltages, temperatures, special requirements, a. s. o.) can be offered. Please, ask for special quote.

Order Instructions

For orders, please indicate: Type reference followed by "A" or "B" according to ambient temperature, preferred design, colour of the lenses and, if different, his position according to connection numbers, colour of lighting means and, if different, his position according to connection numbers, colour of body and, if required, metal frame.

Examples: Indicator light type 903A, "soft", black, red transparent lenses, orange glowlamps, or:

Indicator light type 903B, with metal frame, red transparent lens and orange glowlamp on 1A and 1C

and green transparent lens and green fluorescent glowlamp on 2A and 2C

Any special requeriment (f. e. other voltage, specific plastic raw material, quench resistor and his ohmic value, other ambient temperature, a. s. o.) is considered a special execution and his supply and order identification has to be confirmed specially by us.

These details are necessary for the first order and to be in accordance with the prescriptions of product identification of the standard(s) and (or) of the certification institute(s).

For following orders this can be substituted by a code of ten numbers which we assign to all our products and coincides with our drawing number.