



electrónica de precisión, s.a.

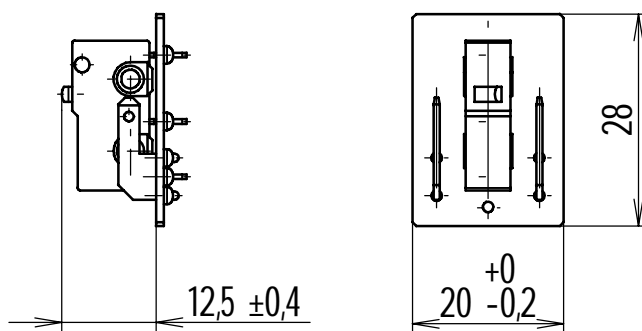
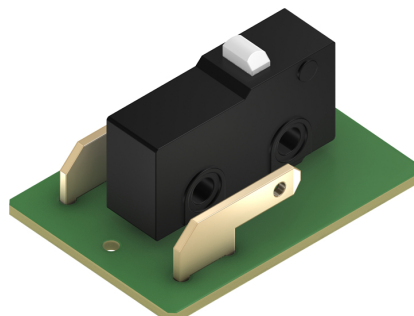
C./ Galileu, 17 Polígono Industrial Can Estella
E-08635 Sant Esteve Sesrovires
BARCELONA

Tel.: +34 93 774 69 10
Fax.: +34 93 774 65 00
e-mail: epsa@edep.com
<http://www.edep.com>



Microswitch Assembly

Code 8949730400



Tolerances unless otherwise stated: ± 0.2

Scale: 1:1

This product is an example of our design and production possibilities in the field of special developments. Custom designed for a manufacturer of soldering machines, the initial most important requirements were:

- 1) Low investments in tooling
- 2) Small size
- 3) Connection by flag tabs
- 4) Small tolerances

After to our different proposals, the client ordered us the present product, which meets all requirements.

Before submit product to client, our laboratory tested all prescribed parameters.