



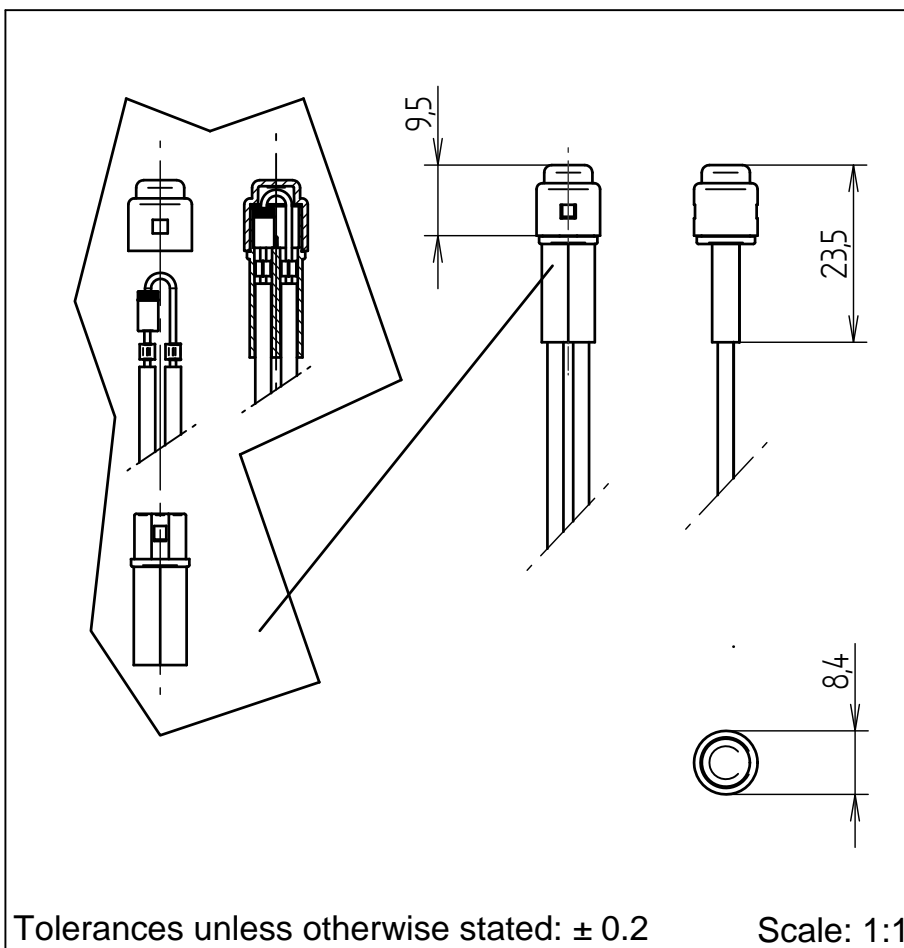
electrónica de precisión, s.a.

C./ Galileu, 17 Poigono Industrial Can Estella
E-08635 Sant Esteve Sesrovires
BARCELONA

Tel.: +34 93 774 69 10
Fax.: +34 93 774 65 00
e-mail: epsa@edep.com
http://www.edep.com



"Winter Switch" Code 89 455 50 400



This product is an example of how we can design a very competitive product in cooperation with our customer, an important manufacturer of refrigerators.

It is neither a signalling or illumination device nor a switch, it is to say, nothing of our usual design and product range. Nevertheless we could offer a very competitive item, due to the fact that we could profit from existing tools. So no investments were necessary.

It is a simple insulated diode holder with connection lead wires as aerial device and substitute to a capacitor. It is used as a so called "winter switch"