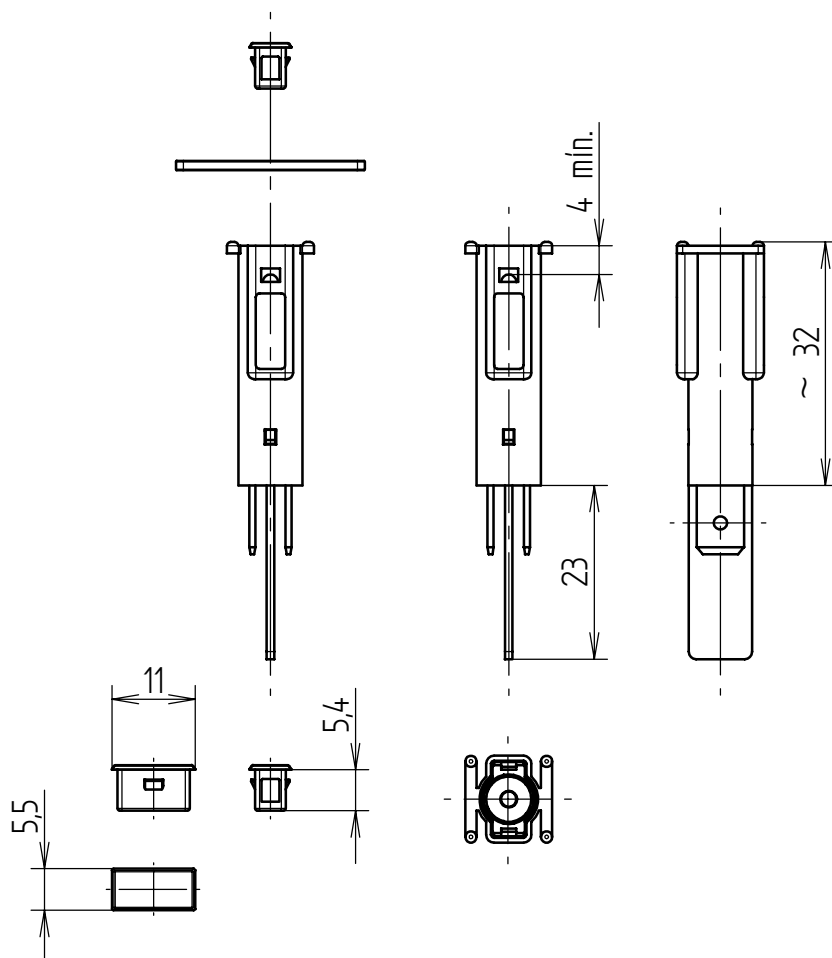


Indicator Light Custom Made Type 610 Code 89 151 10 502



Tolerances unless otherwise stated: ± 0.2

Scale: 1:1

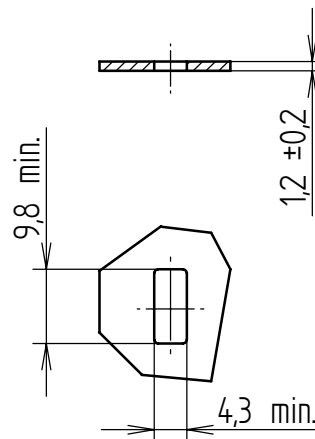
This product is an example of our design and production possibilities in the field of indicating devices
Custom designed for an electric oven manufacturer, the initial most important requirements were:

- 1) Low investments in tooling
- 2) Good resistance to high temperatures
- 3) Good electric and fire resistance
- 4) Good fixing to panel

After to our different proposals, the client ordered us the present product, which meets all requirements.

Before submit product to client, our laboratory tested all prescribed parameters.

Recommended cutout



On introducing side no sharp edges!

Scale: 1:1