



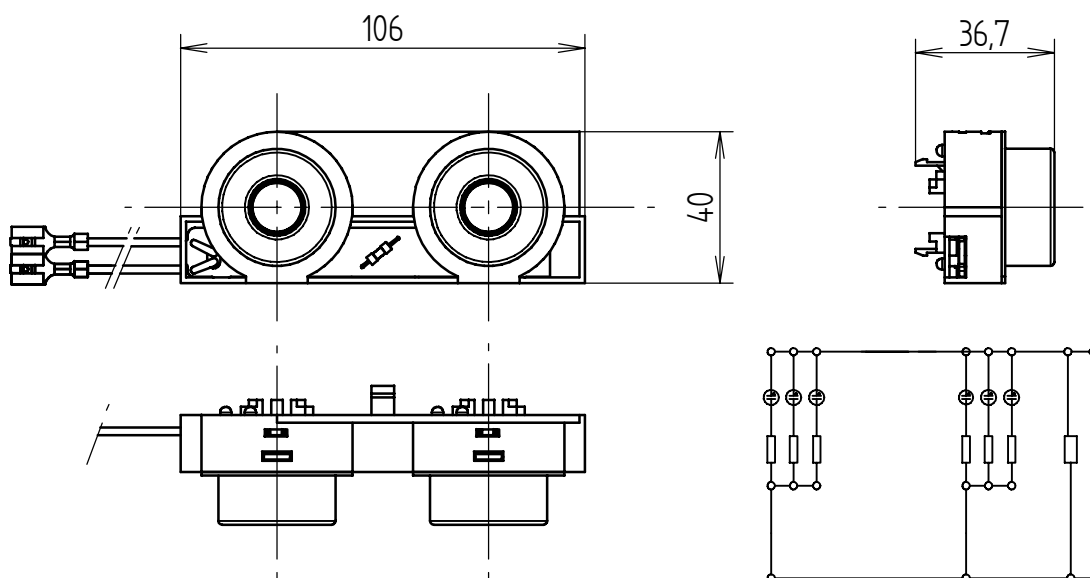
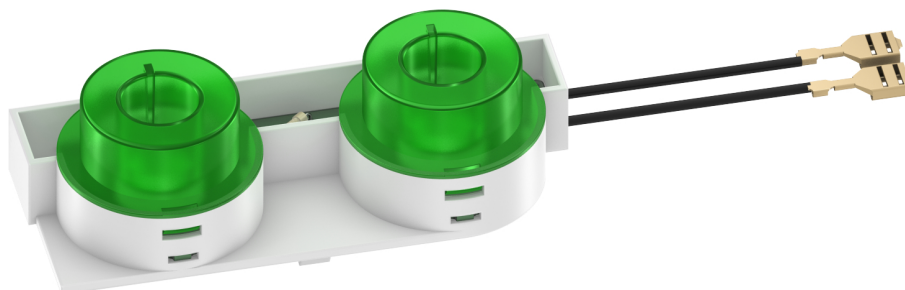
electrónica de precisión, s.a.

C./ Galileu, 17 Polígono Industrial Can Estella
E-08635 Sant Esteve Sesrovires
BARCELONA

Tel.: +34 93 774 69 10
Fax.: +34 93 774 65 00
e-mail: epsa@edep.com
http://www.edep.com



Illumination for
Knobs
Code 8910110455



Tolerances unless otherwise stated: ± 0.2

Scale: 1:2

This product is an example of our design and production possibilities in the field of illumination. Custom designed for an electric oven manufacturer, the initial most important requirements were:

- 1) Low investments in tooling
- 2) Flexibility for alternative executions with only three or two panel knobs, alternatively without switching
- 3) Good illumination of customer's semitransparent existing knobs
- 4) Good resistance to high temperatures
- 5) Good electric and fire resistance

After to our different proposals, the client ordered us the present product, which meets all requirements. The tool of the housing is constructed in such way, that different total lengths can be manufactured without need of different tools. The lighting means are integrated in the housing and a printed circuit board. The different executions can be arranged, because of the low cost for changes on p.c.b.. Before submit product to client, our laboratory tested all prescribed parameters.